

Open Source Event Receiver

Open Hardware Workshop EPICS Meeting

Argonne, June 2018

Jukka Pietarinen

Micro-Research Finland Oy

Open Source Event Receiver - Introduction

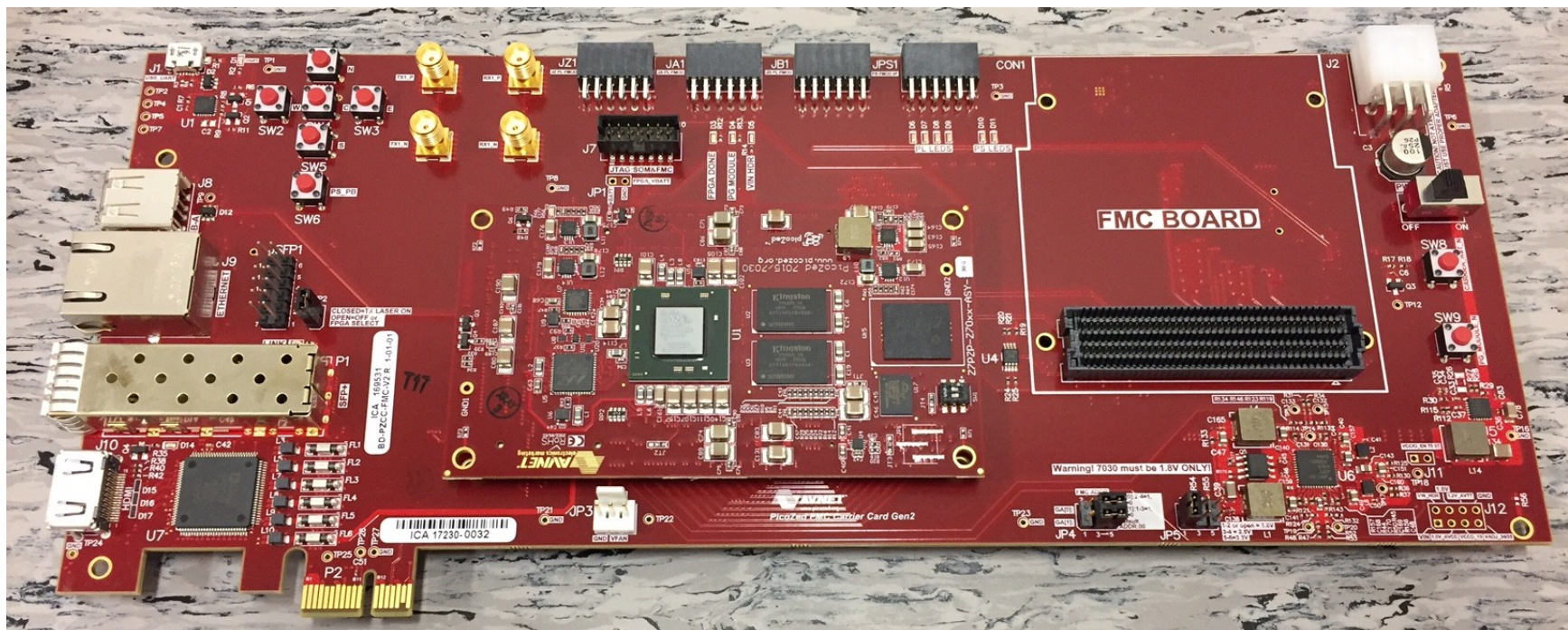
- What is the Open Source Event Receiver
 - Basic building block required to build devices receiving the MRF Timing protocol including but not limited to Delay Compensation capability
- What is it not
 - it is not a replacement firmware for current MRF products
 - it is not a complete Event Receiver with MRF product compatible register map
 - No bus/register interface
 - No pulse generators
 - etc.

Open Source Event Receiver - Requirements

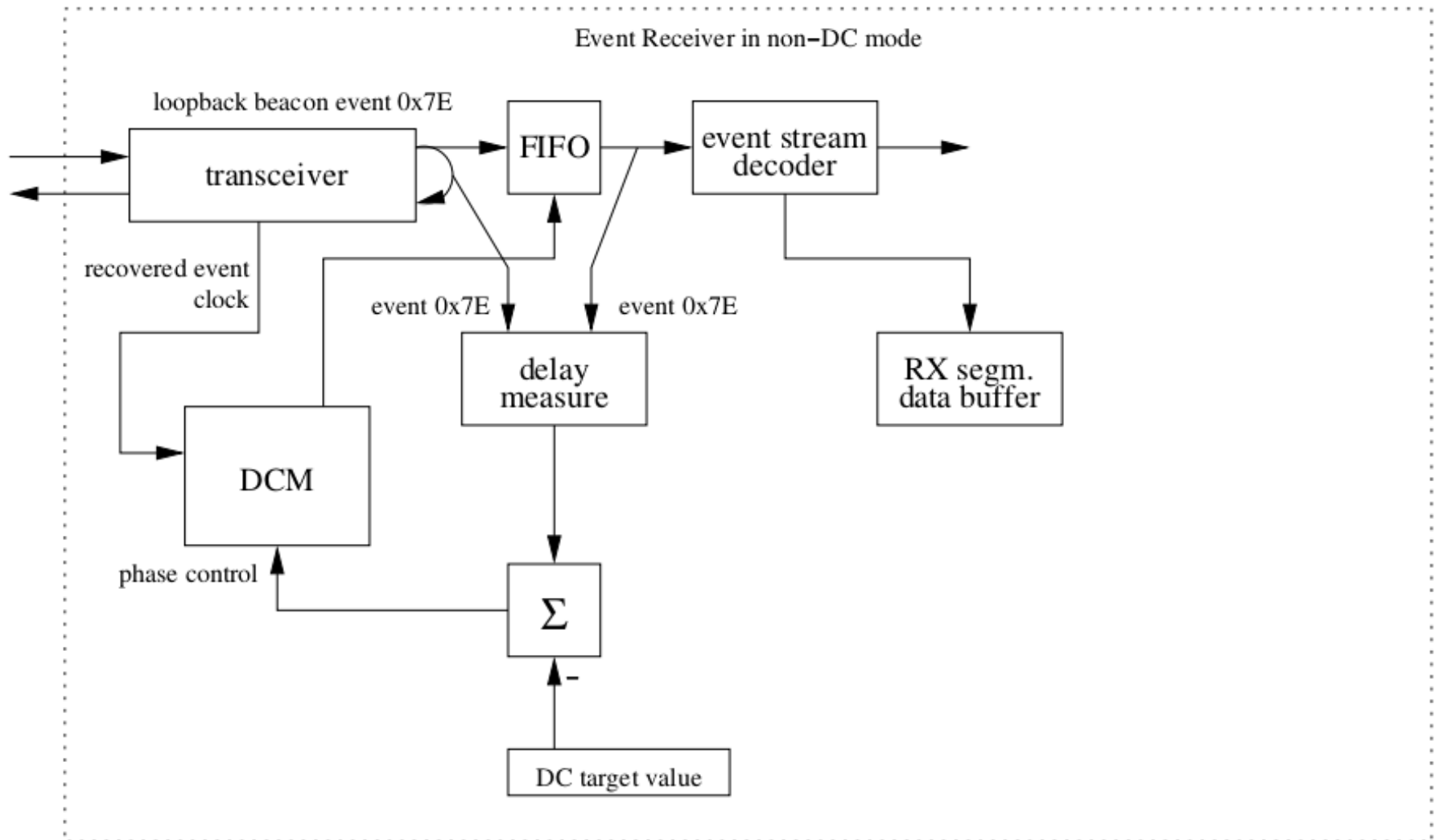
- Hardware
 - Xilinx Kintex-7 based FPGA with GTX transceivers **ONLY!**
 - Zynq 7Z030 is Kintex-7 based
 - SFP Transceiver
 - Reference clock for GTX
 - Example design built for
 - Avnet PicoZed 7Z030
 - Avnet PicoZed FMC Carrier Card V2
- Software
 - Xilinx Vivado 2017.4 (Free WebPack version is sufficient)
- Xilinx programming cable
 - e.g. Platform Cable USB II

Avnet PicoZed FMC carrier with 7Z030 SOM

- Avnet PicoZed AES-Z7PZ-7Z030-SOM-G
- Avnet PicoZed FMC carrier AES-PZCC-FMC-V2-G
 - Zynq 7Z030 incorporates
 - Kintex-based FPGA core
 - Four GTX transceivers
 - Dual-core ARM Cortex-A9
- This kit has everything from the hardware point of view to be used as an event receiver



Open Source Event Receiver - non-DC mode



Reference Design Structure

zynq_top.vhd - Design top level

 evr_dc.vhd - Event Receiver top level

 transceiver_dc_k7.vhd - GTX Transceiver instantiation

 delay_measure.vhd - Delay measurement

 average.vhd

 delay_adjust.vhd - DCM control

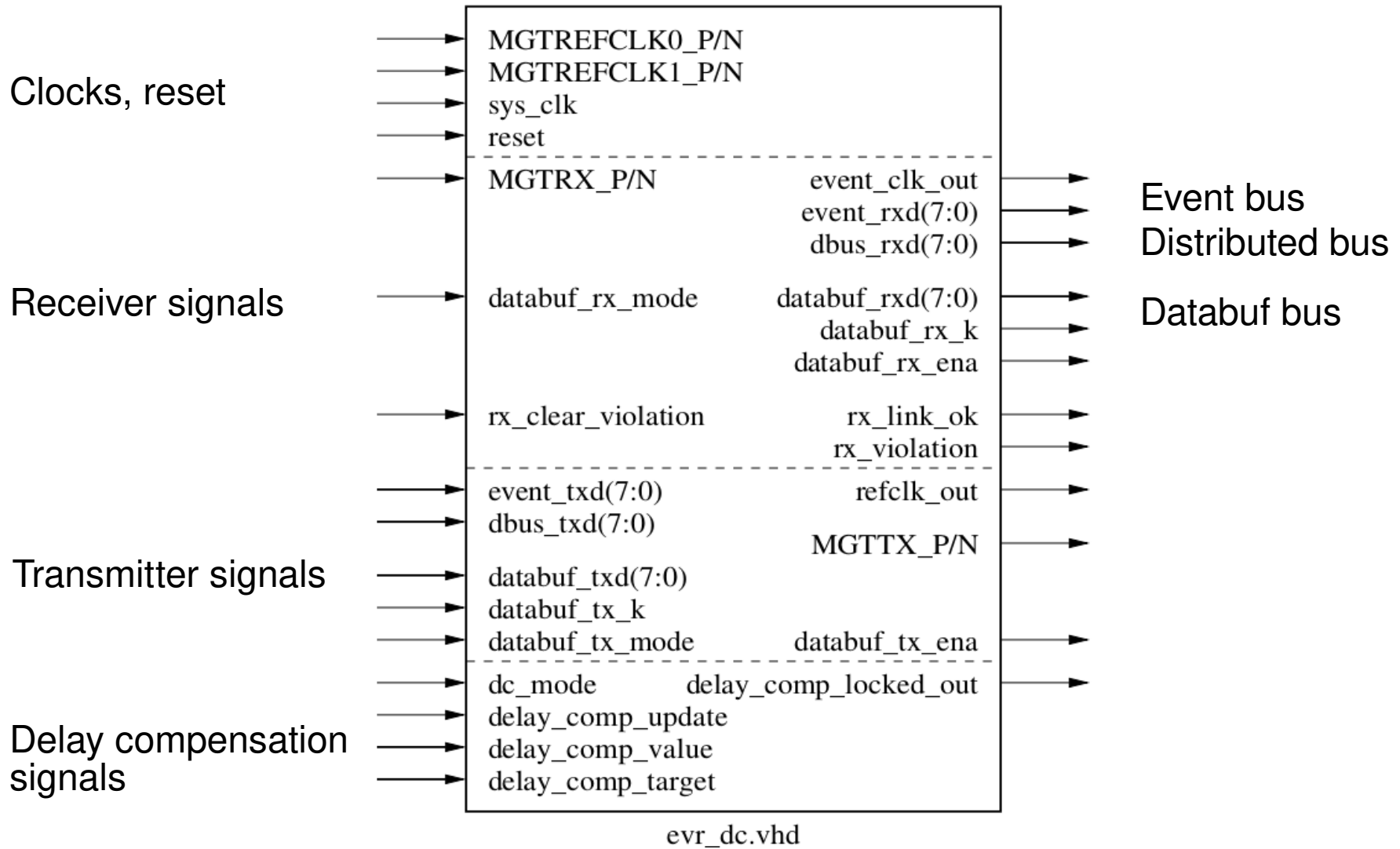
 databuf_rx_dc.vhd - Segmented data buffer receiver

 evr_pkg.vhd

 buf_bsram.vhd

zynq.xdc - Constraints file

Open Source Event Receiver



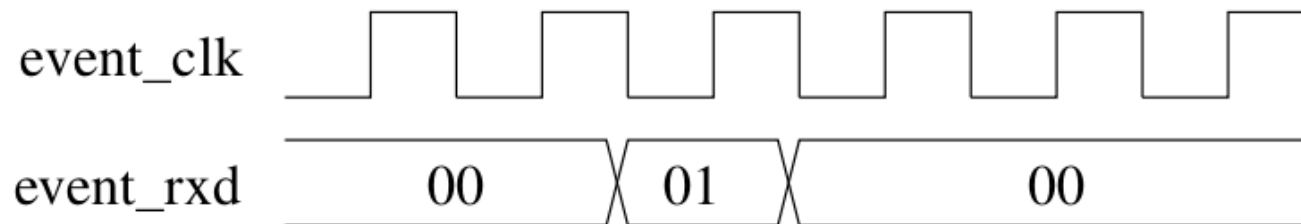
Minimum Configuration

- Connect reference clock to one reference clock input MGTREFCLKx_P/N
- Connect system clock to sys_clk
- Connect transceiver receive signals to MGTRX_P/N
- Tie databuf_rx_mode and databuf_tx_mode high '1'
- Tie dc_mode low '0' (non-DC mode)
- Set delay_comp_target to a fixed value $> 0x00050000$, this value can be used to fine tune the “group delay” of the whole EVR. In non-DC mode this value sets depth of the EVR input FIFO.
- Tie other (unused) inputs low '0'

Receiving Events

- Event codes are presented on `event_rxd` in `event_clk` clock domain
- When `event_rxd` is not `0x00` there is an active event code
- `link_ok` can be used to check link status

```
if rising_edge(event_clk) then
    if event_rxd = X"01" then
        -- event code X"01" received
    end if;
end if;
```

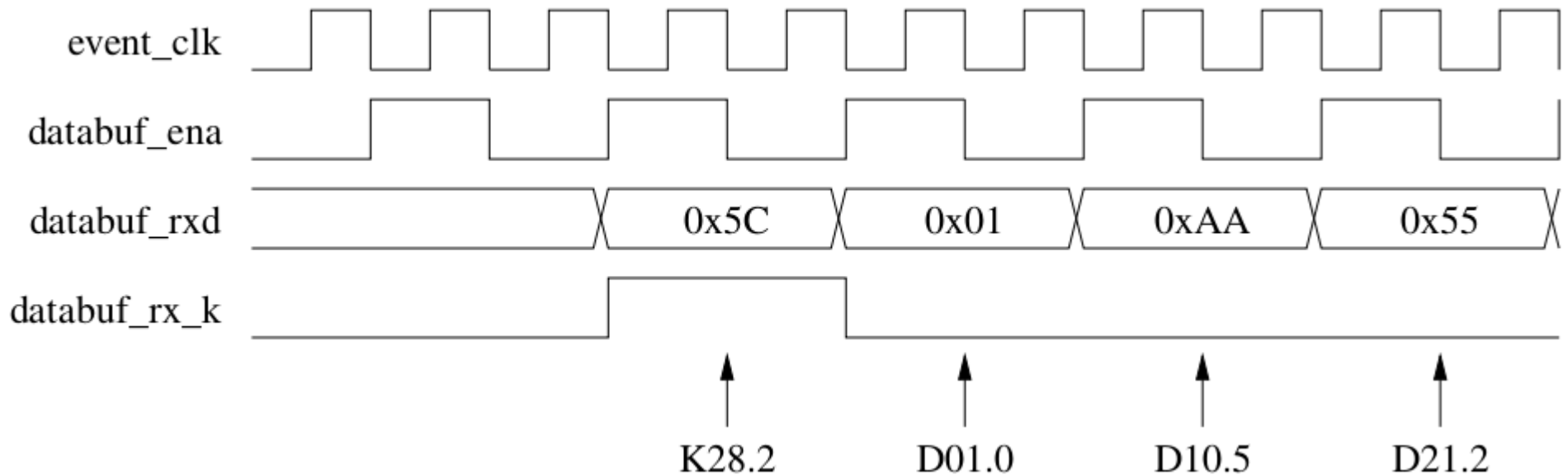


Receiving Distributed Bus Bits

- Distributed bus bits presented on `dbus_rxd` in `event_clk` clock domain
- When databuf mode is enabled `dbus_rxd` is updated every other clock cycle, when databuf mode is disabled `dbus_rxd` is updated every clock cycle
- `link_ok` can be used to check link status

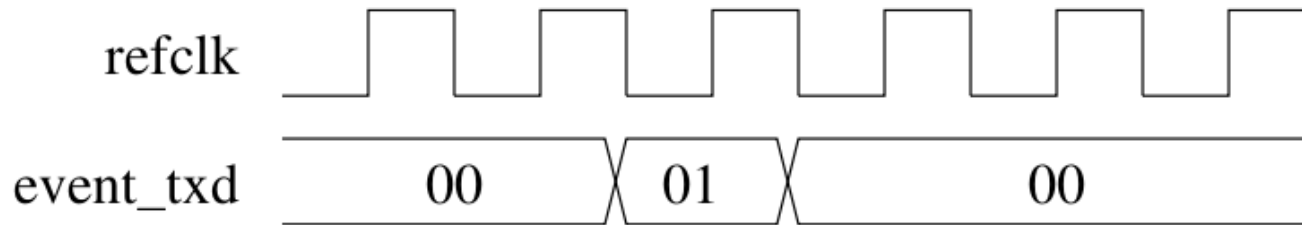
Databuf bus

- Databuf bus is used to transfer data packets on databuf_rxd, databuf_rx_k, databuf_ena in event_clk clock domain
- Databuf mode has to be enabled

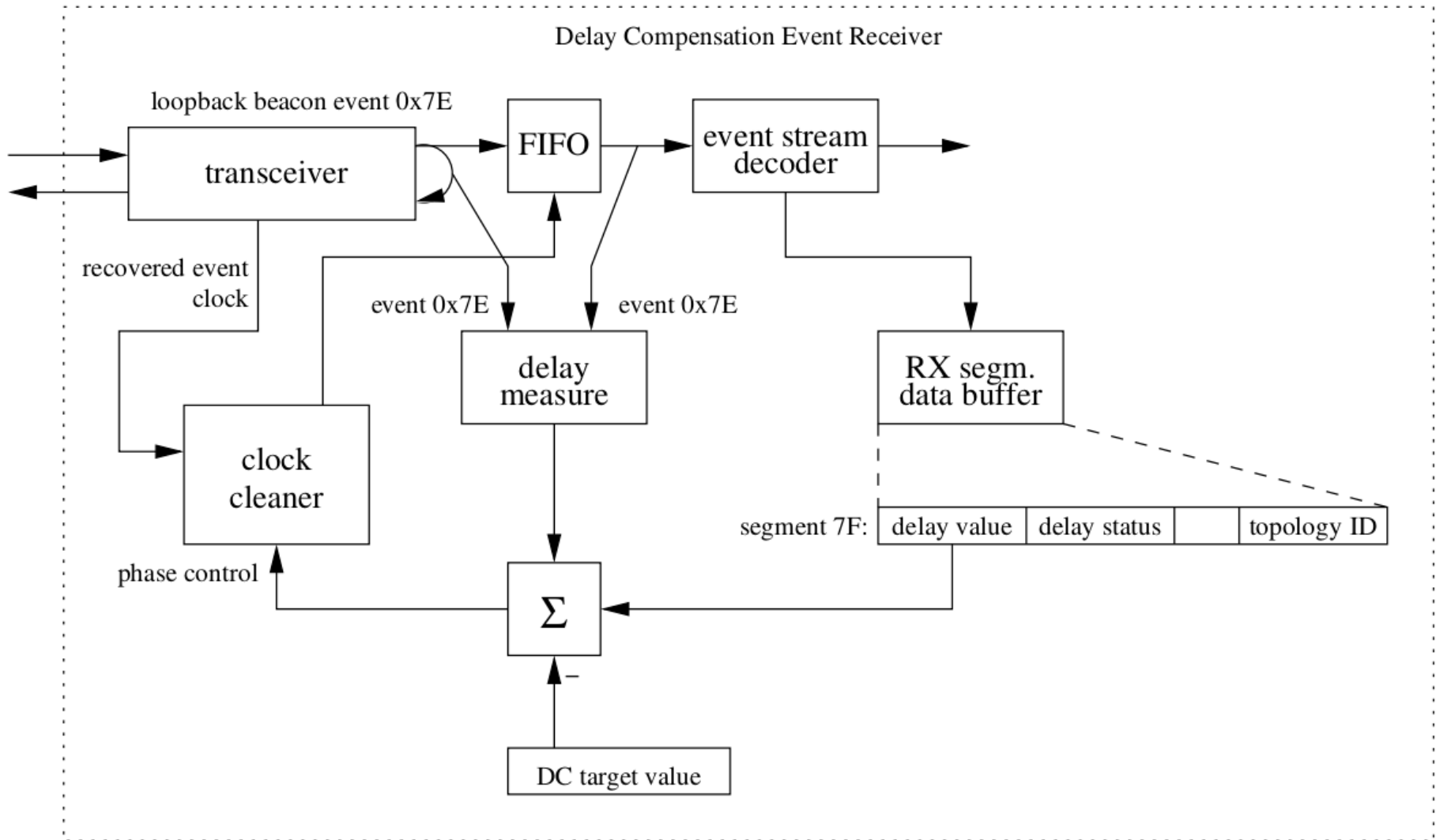


Sending Events

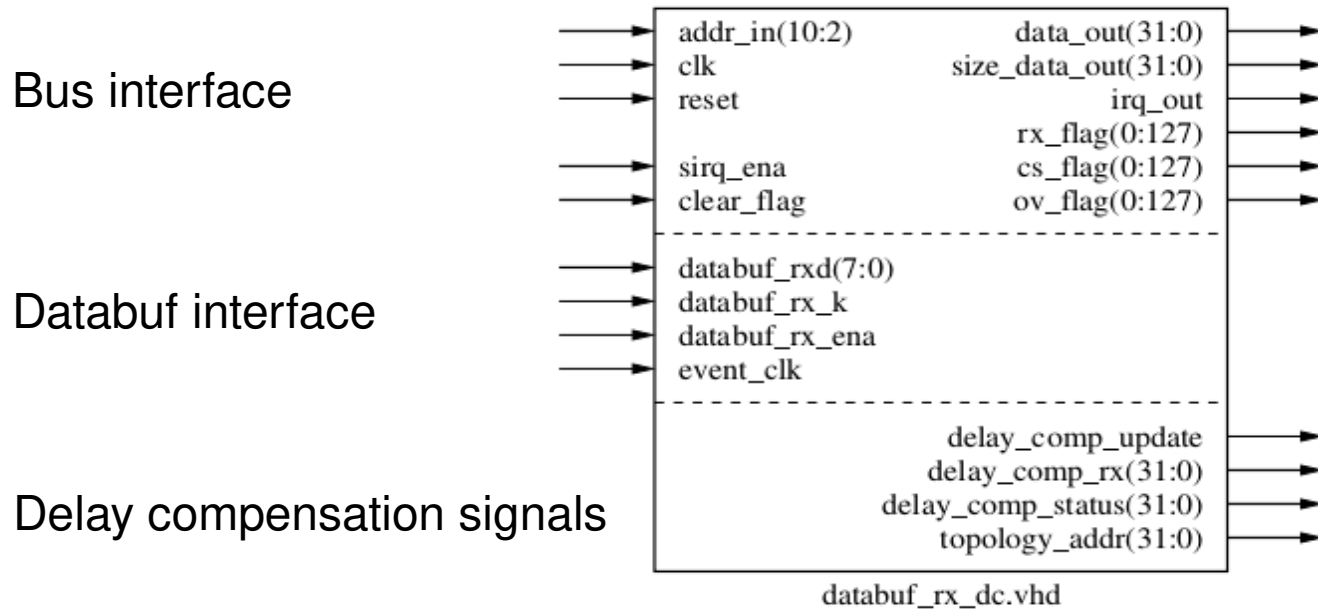
- Event codes are presented on `event_txd` in `refclk` clock domain
- When `event_txd` is not `0x00` the event code is sent out on the rising edge of `refclk`



Open Source Event Receiver - DC mode



Adding delay compensation



- `delay_comp_update` has to be connected to `delay_comp_update` of the `evr_dc` block
- `delay_comp_rx` has to be connected to `delay_comp_value` of the `evr_dc` block

Building Reference Design with Vivado

- Getting Sources
 - git clone <https://github.com/jpietari/mrf-openevr>
- Building Vivado project
 - cd mrf-openevr
 - vivado -mode tcl
 - Vivado% source ./openevr.tcl
 - Vivado% quit
- Synthesis/implementation/creating bitstream
 - Launch vivado in GUI mode
 - Vivado
 - Open project openevr/openevr.xpr
 - Generate bitstream
- FPGA configuration
 - Hardware manager
 - connect to target
 - download

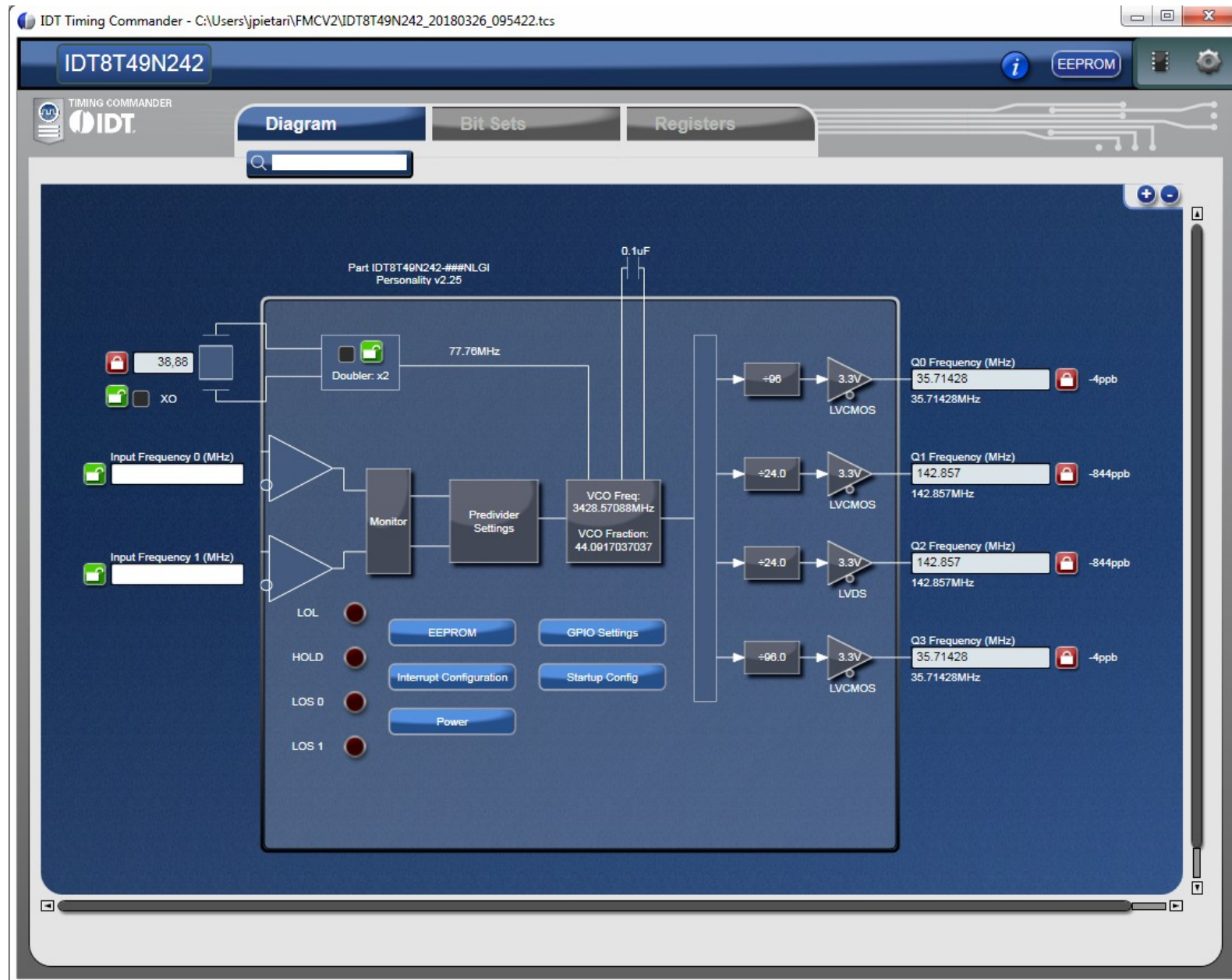
Reference Design Features

- LEDs
 - LED1 (D6), rx_violation
 - LED2 (D7), link_ok
 - LED3 (D8), flashed quickly on received 0x01 event code
 - LED4 (D9), flashes slowly
- Pushbuttons
 - SW1 (N), rx_clear_violation
 - SW2 (S), tx_reset
 - SW3 (E), sys_reset
- The event link can be looped back to itself (connect fiber patch cable from SFP TX to SFP RX)
 - however due to GTX internals and running the transmitter and receiver from the same clock source you will need to press tx_reset several times before link gets established, this applies only to self-loopback. Theoretically, chances of establishing link is 1/20th resets.
- Sending out event code 0x01 at a fixed rate, few Hz, received event shows on LED3 (D8)
- Two integrated logic analyzer (ILA) cores instantiated

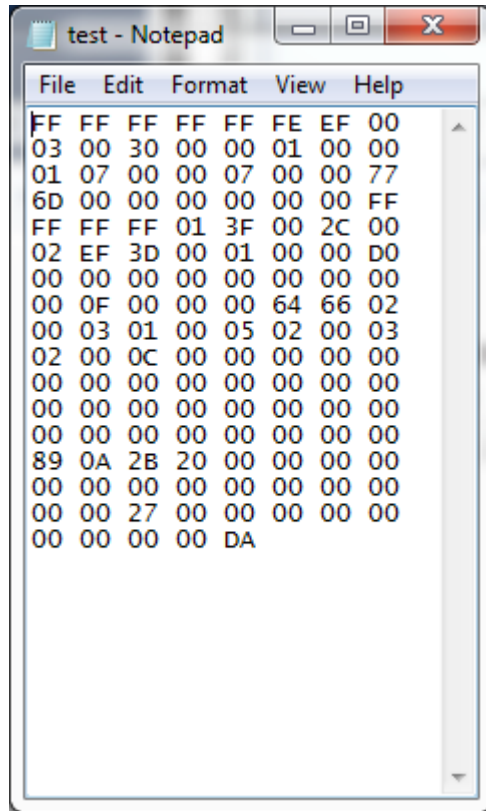
Avnet PicoZed FMC Carrier V2 Board Reference Clock

- Avnet PicoZed FMC Carrier V2 has a programmable IDT 8T49N242 clock synthesizer.
 - Configuration resides on an EEPROM
 - Reference design available from Avnet to program EEPROM
- Software Tools
 - IDT Timing Commander
 - IDT 8T49N24x Timing Commander Personality File
 - Xilinx Vivado and SDK 2015.4 (exact version required)
- Getting Sources
 - <http://picozed.org/support/design/13076/106>
 - Transceiver Clock Programming Reference Design

IDT Timing Commander



IDT Timing Commander



```
File Edit Format View Help
FF FF FF FF FE EF 00
03 00 30 00 00 01 00 00
01 07 00 00 07 00 00 77
6D 00 00 00 00 00 00 FF
FF FF FF 01 3F 00 2C 00
02 EF 3D 00 01 00 00 D0
00 00 00 00 00 00 00 00
00 0F 00 00 00 64 66 02
00 03 01 00 05 02 00 03
02 00 0C 00 00 00 00 00
00 00 00 00 00 00 00 00
00 00 00 00 00 00 00 00
00 00 00 00 00 00 00 00
89 0A 2B 20 00 00 00 00
00 00 00 00 00 00 00 00
00 00 27 00 00 00 00 00
00 00 00 00 DA
```

Copy table as a new configuration to file

C:\Avnet\hdl\Projects\pz_fmc2_valtest\software\pzcc_iic_eeprom_test\src\iic_eeprom_demo.c

Follow instruction in PizoZed_FMC2_Carrier_IDT_Clock_Programming_RefDes_2015_4.pdf

Evaluation Board Reference Clock

- Launch Vivado 2015.4
 - Open Project C:/Avnet/hdl/Projects/pz_fmc2_valtest/PZ7030_FMC2
 - Generate Bitstream
- Launch SDK 2015.4
 - Select Workspace C:\Avnet\hdl\Projects\pz_fmc2_valtest\PZ030_FMC2\pz_fmc2_valtest.sdk
 - Xilinx Tools -> Program FPGA, Click Program
 - Right-click pzcc_iic_eeprom_test
 - Run as -> Run Configurations
 - Click on Application tab
 - Search: pzcc_iic_eeprom_test.elf
 - Apply, Run

Further developments

- Adding more “bits and pieces” as configurable “plugins”
 - timestamping?
 - pulse generators?
 - bus interface for CPU access?
- Main idea is still to keep it as simple as possible
- VHDL is not a very convenient language for configurable designs - you have to use generate statements - no #ifdefs